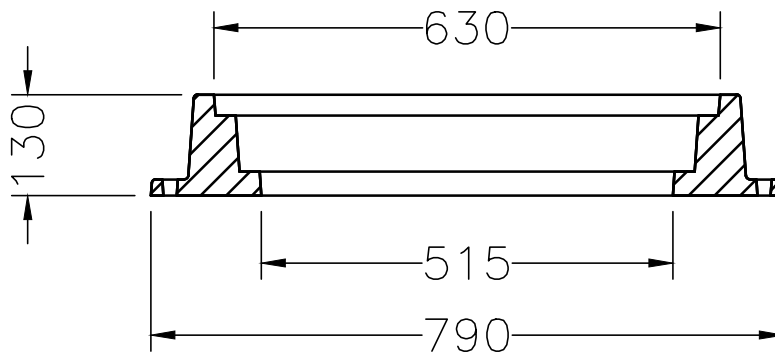


PLAN VIEW



SECTION A-A

CODE	TYPE	DESCRIPTION	SIZE	CLASS
M4A R2	2A	CIRCULAR SOLID COVER AND FRAME	630	HD

MANHOLES 4 AFRICA

CLIENT – BCMM

DRAWN BY: MH

TITLE:

SIGNED OFF:

APPROVED BY: DS

2A – CIRCULAR  
SOLID COVER  
AND FRAME

DRAWING NO.: M4A-001-2A

DATE DRAWN: 22 MAY 2013

REVISION: 1

SCALE: 1:10