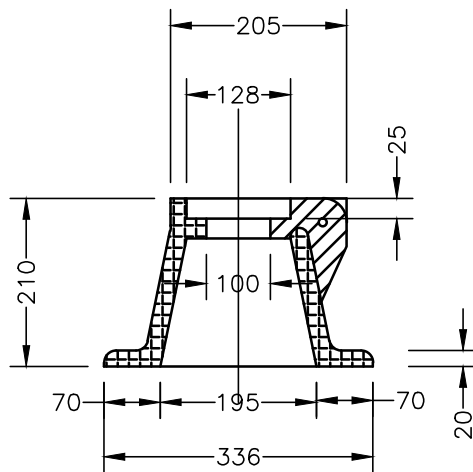
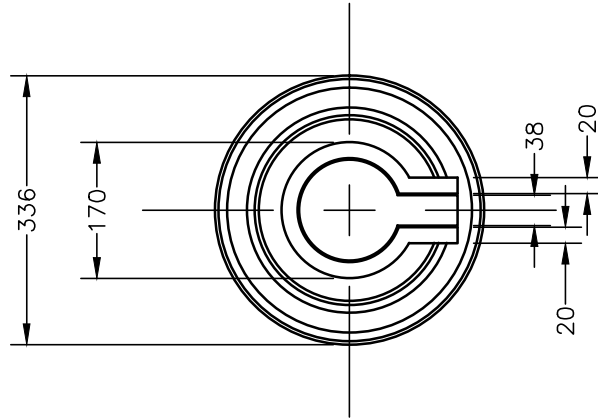


PLAN VIEW



SECTION A-A

CODE			TYPE	DESCRIPTION	SIZE	WEIGHT
M4A	V1	CF	3B	CIRCULAR VALVE BOX & HINGED COVER	-	8.2KG
M4A	V1	C	3B	COVER	130mm	0.7KG
M4A	V1	F	3B	FRAME	-	7.5KG

MANHOLES 4 AFRICA

DRAWN BY: MH	TITLE: CIRCULAR VALVE BOX & HINGED COVER	SIGNED OFF:
APPROVED BY: DS		
DATE DRAWN: 22 MAY 2013		DRAWING NO.: M4A-001-V1
SCALE: 1:10		REVISION: 1